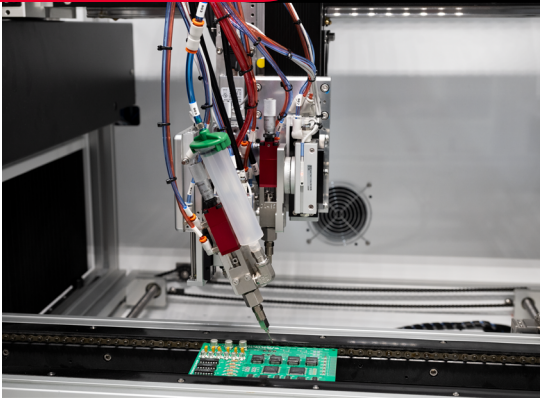




INNOVATION. PRECISION. EXCELLENCE.



## Delta 8 Selective Coating/Dispensing System

The Delta 8 is a flexible robotic conformal coating/dispensing system that is ideal for selective coating, potting, bead, and meter-mix dispensing applications. Conceptualized for maximum flexibility, the system can also be configured for custom assembly applications.

Maintaining the preferred features of previous workcells, the Delta 8 features a robust overhead three-axis motion platform suitable for inline or batch operations. Improved structural and gantry rigidity have been added for robustness and easier access.

The Delta 8 has many options and integrated features including:

- Patented servo-controlled optional four-axis motion featuring valve tilt and rotate
- Closed loop process control throughout gantry system
- Multiple dispensing applications or materials in one cell
- Onboard PC for unlimited program storage
- Exclusive PVA programming software designed for the Delta 8

For more information, please contact PVA at [info@pva.net](mailto:info@pva.net) or (518) 371-2684.



Direct Series Delta 8  
configured for PathMaster X.

## System Specifications

### Air

80 psi dry, unlubricated

### Exhaust

Minimum 300 CFM

### Power Requirements

120V, 220V, 50-60 Hz

### Gantry System Design

Closed loop brushless DC servo motors with optical encoders and ball screw slides on all axes

### Work Area (1 Valve / Tool):

621 mm x 595 mm x 100 mm  
(24.45 in x 23.43 in x 3.94 in)

### Payload Capacity

11.36 kg (25 lbs)

### XYZ Repeatability

±25 microns (±0.001 in)

### Resolution

5 microns (0.0002 in)

### Maximum Acceleration

0.6 g (0.08 oz)

### Maximum Speed

670 mm/sec (26.4 in/sec)

### Footprint

1270 mm x 973 mm x 2222.6 mm  
(50 in x 38.31 in x 87.5 in)

### Programming Software

PathMaster® software with offline image import and programming capability

PathMaster X software with enhanced offline programming available on Direct Series models

# Delta 8

The Delta 8 is ideal for selective conformal coating and dispensing applications that require a high level of accuracy and repeatability in moderate to high volume manufacturing environments. It is a closed-loop robotic platform featuring optical encoder feedback on all axes.

## Board Handling

Conveyor Type:	Flat belt or chain
Minimum Conveyor Width:	50 mm (1.97 in)
Maximum Conveyor Width:	500 mm (19.685 in)
Board Clearance Topside:	100 mm (3.94 in)
Board Clearance Underside:	100 mm (3.94 in)
Edge Clearance:	4.7 mm (0.185 in)
Transport Height:	940 mm - 965 mm (37 in - 38 in)
Communications Protocol:	SMEMA
Conveyor Options:	Lift and locate, through hole pin, under board support
Conveyor Speed:	Up to 24.4 m/min (80 ft/min)
Process Flow:	Programmable, right to left or left to right, bidirectional
Weight Limit:	Belt - 2.3 kg (5 lbs) Chain - 6.8 kg (15 lbs)

## Common Fluid Applicators

Spray Valves:	FCS300-ES, FCS300-ES-UF, FCS300-R/F, FC100-CF
Dispense Valves:	FC100-MC, FCM100, SB300
Jetting Valve:	JDX
Auger Valves:	SV200, SVX
Progressive Cavity Pumps:	PCP, PDP
Material Feed Options:	Pressure vessel, drums, totes, syringe (1 - 55 cc), cartridge feed (6 - 20 oz)

## PathMaster & PathMaster X Software Features

Operating System:	Windows
Offline Programming Option:	Yes
Program Storage:	Onboard PC
Monitor:	Flat screen <sup>1</sup> , touchscreen <sup>2</sup>
Machine Pendant:	Teach pendant with trackball <sup>1</sup> X-PAD multi-function controller <sup>2</sup>
USB Communication Port:	Yes
Low Level Exhaust Monitoring:	Yes

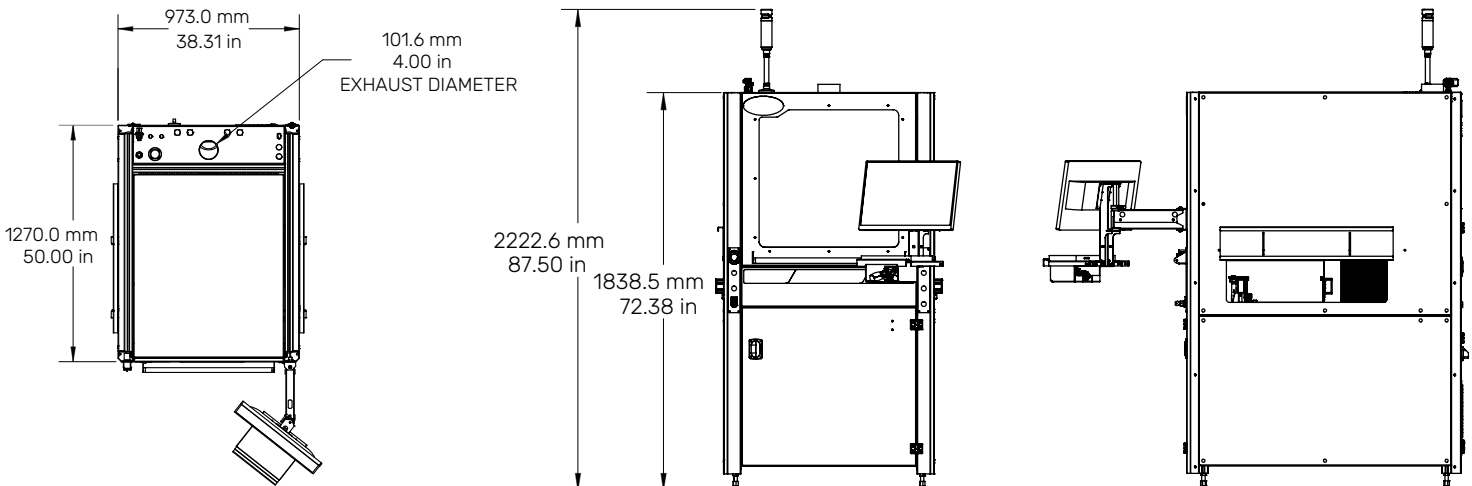
## Optional Features

- Servo 4th Axis motion featuring valve tilt & rotate
- Closed-loop material flow monitoring
- Inline material metering
- Bar code program selection
- Low level fluid sensor
- Valve and/or fluid heating
- Programming camera
- Active vision with XY correction
- Substrate heating - contact or non-contact
- Dispense zone weigh scale
- Multi-zone conveyor
- Conveyor auto width adjust

<sup>1</sup> Exclusive to PathMaster

<sup>2</sup> Exclusive to PathMaster X

## Power drop required - See machine spec for voltage



Models above are of a Direct Series Delta 8 configured for PathMaster X.  
Dimensions may vary.