

COMPARISON

Type



PALLET

Price	x1
Loading Capacity	2.5 - 8 tons
Heat Treatment & Fumigation	Exempt
Fridge & Open Environment	50 - 150°C
Weight	Easy to handle
Warehousing Cost	1.8 meter for 50 pallets stacked
Transportation Cost	x1
Carbon Emission	- 34 kg CO ₂
Negative Impact On Forex	No

WITH PALLET



WOOD PALLET

x1.25 NetZero Pallet

1.5 - 4 tons

Required

20 - 100°C

Difficult to handle

7.5 meter for 50 pallets stacked

x3 Pallet

5 kg CO₂

Yes

↓ **20-50%**
Cost advantages

NetZero Pallet provides a longer lifespan while being 20-50% cheaper than traditional hardwood and plastic pallets.

↑ **70%**
Space-saving

NetZero Pallet allows for efficient stacking, with remarkable 70% reduction in storage and transportation space.

↑ **300%**
Transport efficiency

NetZero Pallet offers a 300% increase thanks to their lightweight design, optimized dimensions, and elimination of fumigation.

↑ **100%**
Biodegradable

NetZero Pallet is made from 100% biodegradable materials, supporting the circular economy and significantly reducing environmental impact.

PALLET OVERVIEW

CHARACTERISTICS AND ADVANTAGES



SINGLE DECK PALLET



DOUBLE DECK PALLET



LOWER COST

- 20-50% lower prices, no fumigation required, and x3 efficient transportation.



BETTER PERFORMANCE

- Higher load capacity than wood pallets, flame and water resistant.



SEAMLESS INTERGRATION

- Stackable, adhering to global standards, and available in various types



REAL IMPACT

- Every NZP used helps nurture ecosystems and combat climate change.



ESG REPORTING

- Track and report on your sustainability achievements.

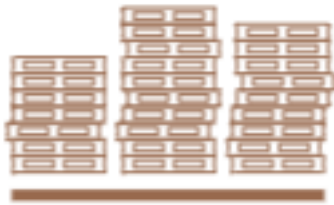


STORY TELLING

- Create your own story and share your journey toward sustainability



PALLETS MADE FROM AGRICULTURAL WASTES



60 pallet
in 2,20 mt



► FEATURES ◀

01 20%-50% lower cost

02 70% space-saving

03 High load capacity

04 Moisture resistance

05 Flame retardant



Carbon negative **06**

Exempt from ISPM15
regulations **07**

Patent technology &
formular **08**

Fully Circular **09**

Wood & plastic-Free **10**

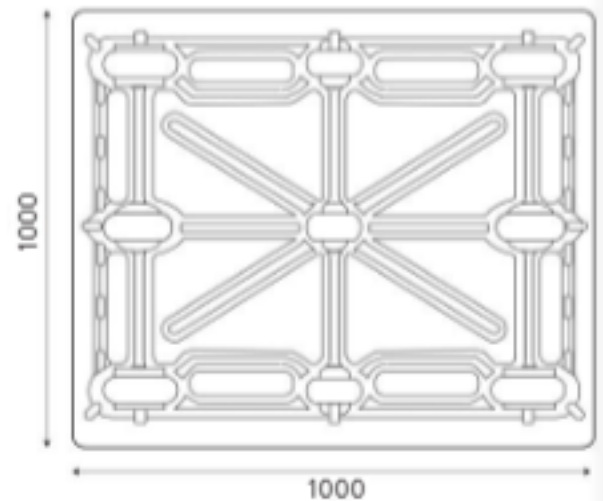
SN-100100-90-04

PALLET

SINGLE DECK COMPRESSED COMPOSITE PALLET



Product number	SN-100100-90-04
Dimensions	1000x1000x90 mm
Weight	15 kg
Fork type	4-way
Stack quantity	1800 pallets
Dynamic load	2000 kg
Static load	6000 kg
Racking ability	No



USAGE:



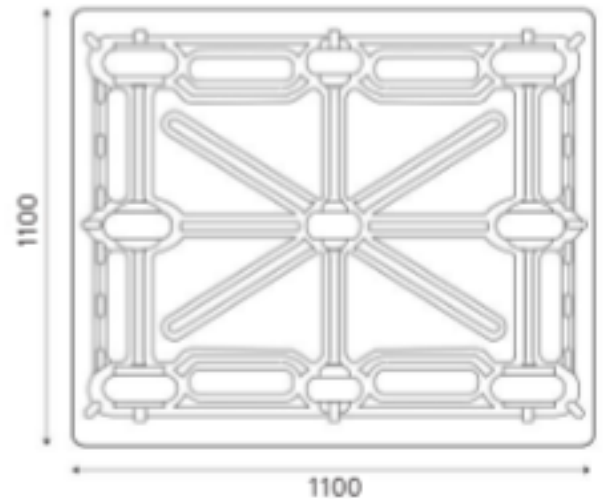
SN-110110-130-04

PALLET

SINGLE DECK COMPRESSED COMPOSITE PALLET



Product number	SN-110110-130-04
Dimensions	1100x1100x130 mm
Weight	17 kg
Fork type	4-way
Stack quantity	1500 pallets
Dynamic load	2300 kg
Static load	6000 kg
Racking ability	No



USAGE:



METAL



CHEMICALS



CARTONS



PACKING BAGS



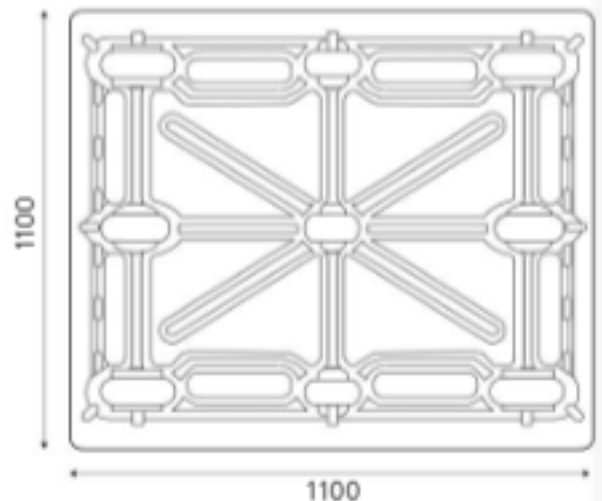
DN-110110-140-04

PALLET

DOUBLE DECK COMPRESSED COMPOSITE PALLET



Product number	DN-110110-140-04
Dimensions	1100x1100x140 mm
Weight	23 kg
Fork type	4-way
Stack quantity	1200 pallets
Dynamic load	2300 kg
Static load	6000 kg
Racking ability	Yes



USAGE:



TITANIUM
DIOXIDE



FOOD
ADDITIVES



OTHER
JUMPO BAGS



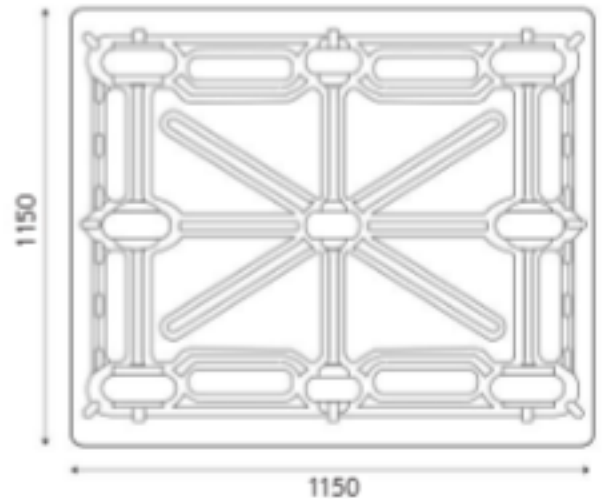
SN-115115-130-04

PALLET

SINGLE DECK COMPRESSED COMPOSITE PALLET



Product number	SN-115115-130-04
Dimensions	1150x1150x130 mm
Weight	17 kg
Fork type	4-way
Stack quantity	1500 pallets
Dynamic load	1000 kg
Static load	3000 kg
Racking ability	No



USAGE:



OVERSIZED
MACHINERY



CONSTRUCTIONS
MATERIALS



AUTOMOTIVE
PARTS



AIRCRAFT
PARTS



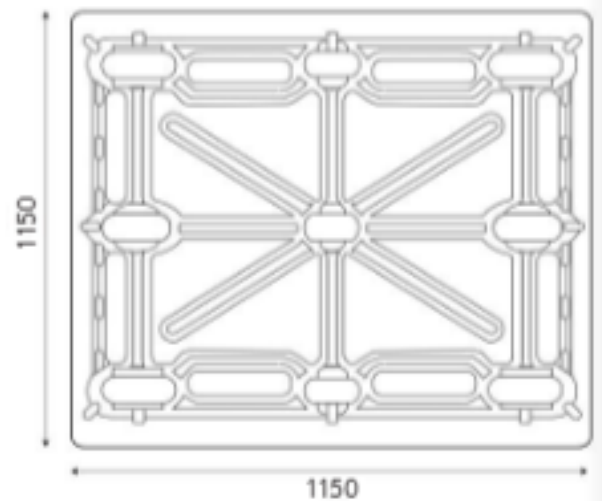
DN-115115-140-04

PALLET

DOUBLE DECK COMPRESSED COMPOSITE PALLET



Product number	DN-115115-140-04
Dimensions	1150x1150x140 mm
Weight	23 kg
Fork type	4-way
Stack quantity	1200 pallets
Dynamic load	1250 kg
Static load	3000 kg
Racking ability	Yes



USAGE:



OVERSIZED
MACHINERY



CONSTRUCTIONS
MATERIALS



AUTOMOTIVE
PARTS



AIRCRAFT
PARTS



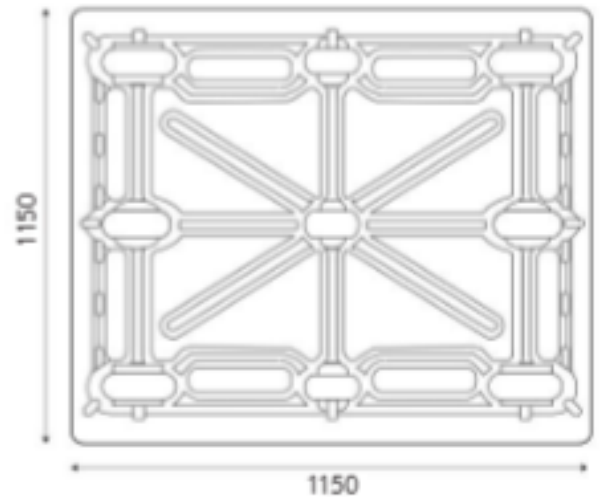
SN-165165-130-04

PALLET

SINGLE DECK COMPRESSED COMPOSITE PALLET



Product number	SN-165165-130-04
Dimensions	1165x 1165x130 mm
Weight	17 kg
Fork type	4-way
Stack quantity	1500 pallets
Dynamic load	1000 kg
Static load	3000 kg
Racking ability	No



USAGE:



OVERSIZED
MACHINERY



CONSTRUCTIONS
MATERIALS



AUTOMOTIVE
PARTS



AIRCRAFT
PARTS



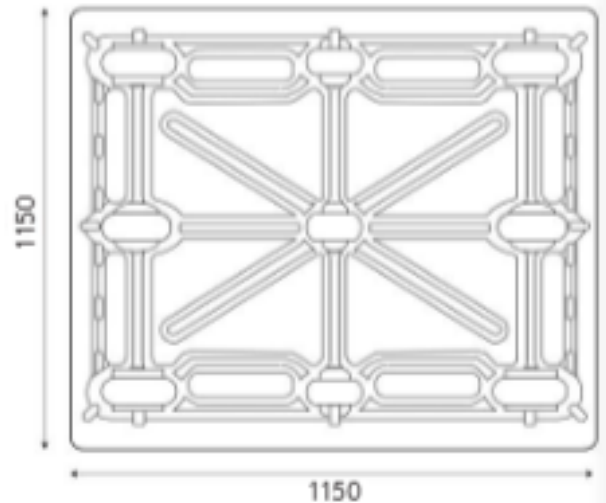
DN-165165-140-04

PALLET

DOUBLE DECK COMPRESSED COMPOSITE PALLET



Product number	DN-165165-140-04
Dimensions	1165x 1165x140 mm
Weight	23 kg
Fork type	4-way
Stack quantity	1200 pallets
Dynamic load	1250 kg
Static load	3000 kg
Racking ability	Yes



USAGE:



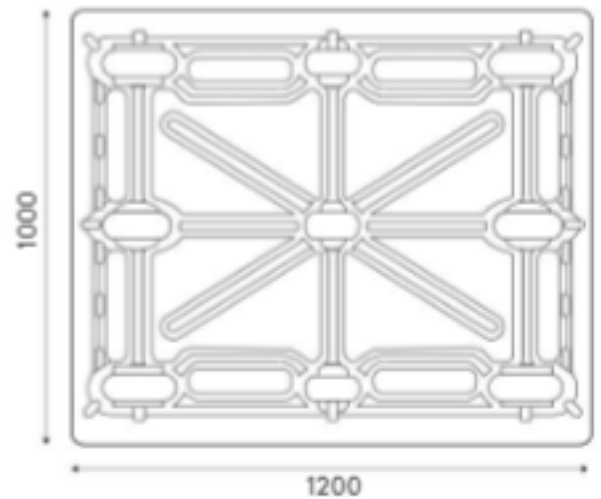
SN-120100-130-04

PALLET

SINGLE DECK COMPRESSED COMPOSITE PALLET



Product number	SN-120100-130-04
Dimensions	1200x1000x130 mm
Weight	17 kg
Fork type	4-way
Stack quantity	1500 pallets
Dynamic load	1500 kg
Static load	3000 kg
Racking ability	No



USAGE:



CABLE MATERIALS



FLAME RETARDANTS



POLYURETHANE LAMPS



RUBBER & PLASTIC



CHEMICALS



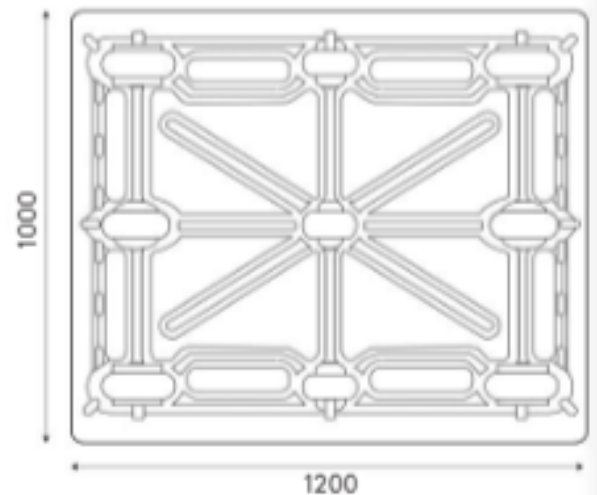
DN-120100-140-04

PALLET

DOUBLE DECK COMPRESSED COMPOSITE PALLET



Product number	DN-120100-140-04
Dimensions	1200x1000x140 mm
Weight	23 kg
Fork type	4-way
Stack quantity	1200 pallets
Dynamic load	1500 kg
Static load	4500 kg
Racking ability	Yes



USAGE:



OVERSIZED
MACHINERY



CONSTRUCTIONS
MATERIALS



AUTOMOTIVE
PARTS



AIRCRAFT
PARTS



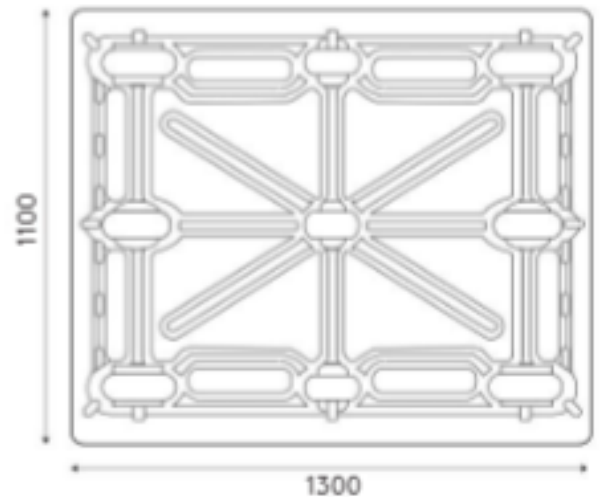
SN-130110-130-04

PALLET

SINGLE DECK COMPRESSED COMPOSITE PALLET



Product number	SN-130110-130-04
Dimensions	1300x1100x130 mm
Weight	22 kg
Fork type	4-way
Stack quantity	1350 pallets
Dynamic load	1500 kg
Static load	3000 kg
Racking ability	No



USAGE:



OVERSIZED
MACHINERY



CONSTRUCTIONS
MATERIALS



AUTOMOTIVE
PARTS



AIRCRAFT
PARTS



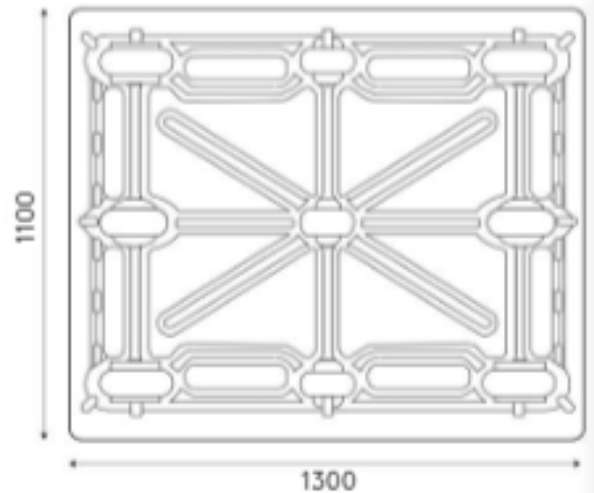
DN-130110-140-04

PALLET

DOUBLE DECK COMPRESSED COMPOSITE PALLET



Product number	DN-130110-140-04
Dimensions	1300x1100x140 mm
Weight	29 kg
Fork type	4-way
Stack quantity	1000 pallets
Dynamic load	1500 kg
Static load	4500 kg
Racking ability	Yes



USAGE:



OVERSIZED
MACHINERY



CONSTRUCTIONS
MATERIALS



AUTOMOTIVE
PARTS



AIRCRAFT
PARTS



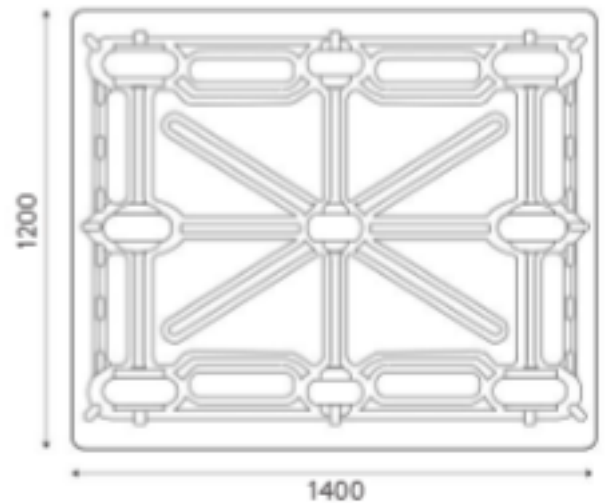
SN-140120-130-04

PALLET

SINGLE DECK COMPRESSED COMPOSITE PALLET



Product number	SN-140120-130-04
Dimensions	1400x1200x130 mm
Weight	28 kg
Fork type	4-way
Stack quantity	500 pallets
Dynamic load	1250 kg
Static load	3000 kg
Racking ability	No



USAGE:



HEAVY MACHINERY
PARTS



LARGE METAL
SHEETS



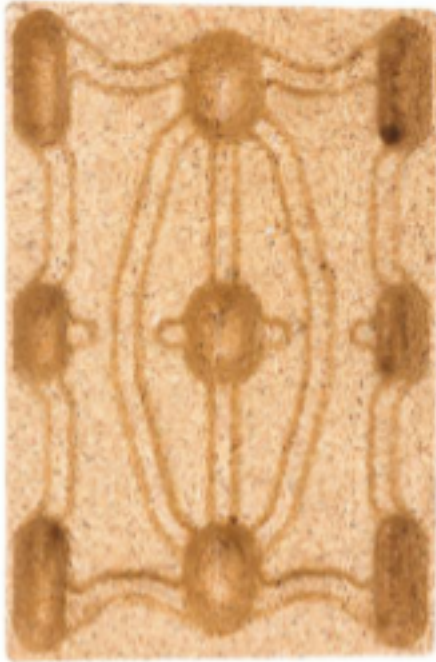
CONSTRUCTION
MATERIALS



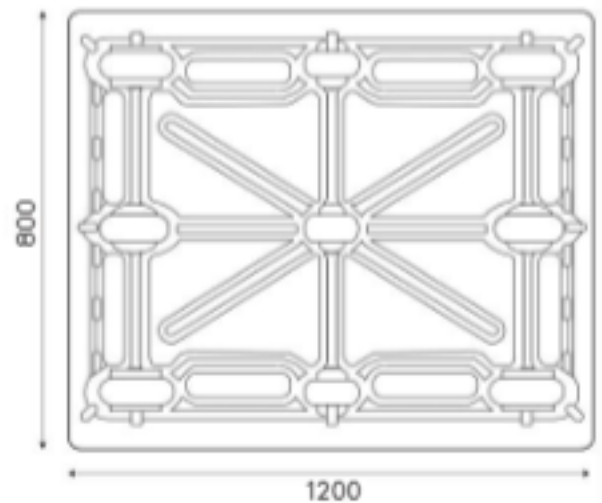
DN-12080-130-04

PALLET

SINGLE DECK COMPRESSED COMPOSITE PALLET



Product number	DN-12080-130-04
Dimensions	1200x800x130 mm
Weight	17 kg
Fork type	4-way
Stack quantity	1500 pallets
Dynamic load	1000 kg
Static load	3000 kg
Racking ability	No



USAGE:



HEAVY MACHINERY
PARTS



LARGE METAL
SHEETS



CONSTRUCTION
MATERIALS



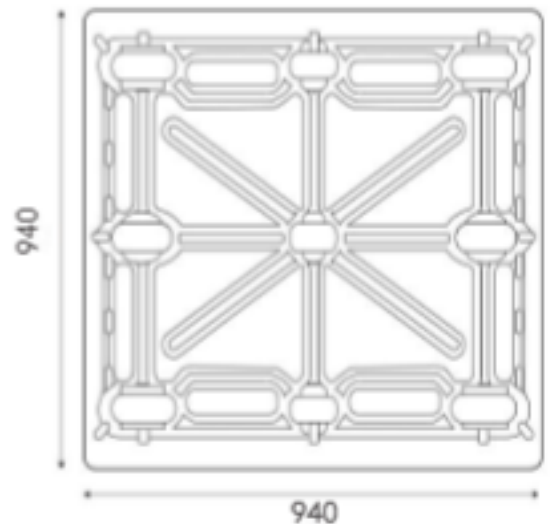
DFW-9494-150-04

PALLET

DOUBLE DECK COMPRESSED COMPOSITE PALLET



Product number	DFW-9494-150-04
Dimensions	940x940x150 mm
Weight	20 kg
Fork type	4-way
Stack quantity	900 pallets
Dynamic load	1250 kg
Static load	4500 kg
Racking ability	Yes



USAGE:



OVERSIZED
MACHINERY



CONSTRUCTIONS
MATERIALS



AUTOMOTIVE
PARTS



AIRCRAFT
PARTS



INDOOR -
DRY AREA



RACKING ON
SHELVES



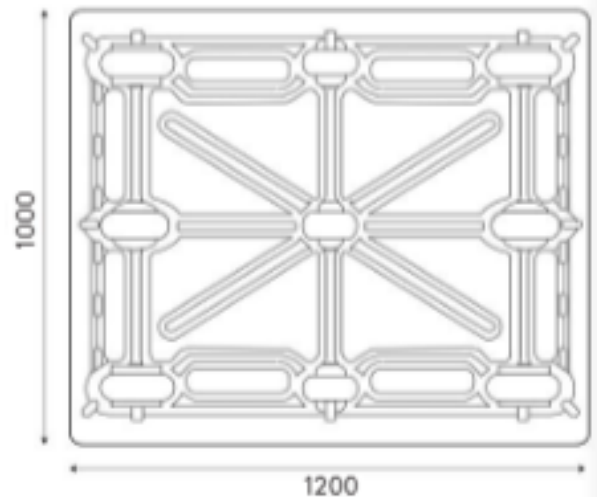
DFW-120100-140-04

PALLET

DOUBLE DECK COMPRESSED COMPOSITE PALLET



Product number	DFW-120100-140-04
Dimensions	1200x1000x140 mm
Weight	24 kg
Fork type	4-way
Stack quantity	850 pallets
Dynamic load	1250 kg
Static load	4500 kg
Racking ability	Yes



USAGE:



OVERSIZED
MACHINERY



CONSTRUCTIONS
MATERIALS



AUTOMOTIVE
PARTS



AIRCRAFT
PARTS



INDOOR -
DRY AREA



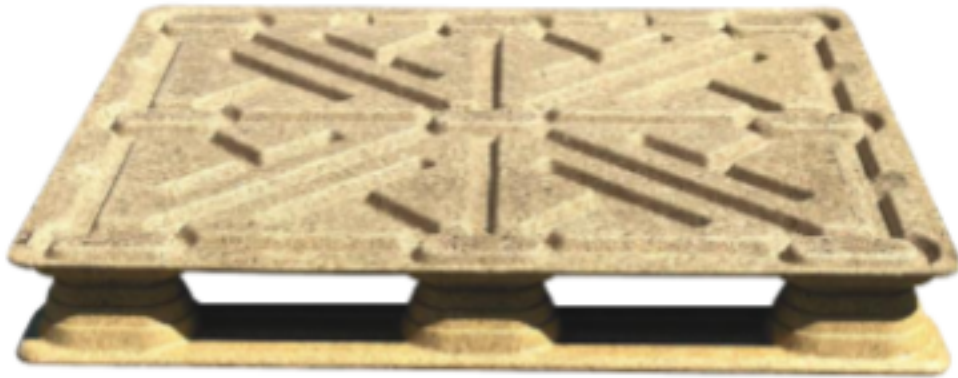
RACKING ON
SHELVES



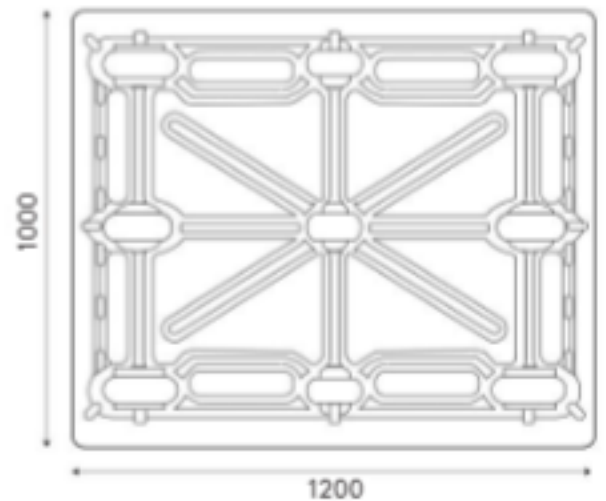
DF3-120100-140-04

PALLET

DOUBLE DECK COMPRESSED COMPOSITE PALLET



Product number	DF3-120100-140-04
Dimensions	1200x1000x140 mm
Weight	24 kg
Fork type	4-way
Stack quantity	1000 pallets
Dynamic load	1250 kg
Static load	4500 kg
Racking ability	Yes



USAGE:



OVERSIZED
MACHINERY



CONSTRUCTIONS
MATERIALS



AUTOMOTIVE
PARTS



AIRCRAFT
PARTS



INDOOR -
DRY AREA



RACKING ON
SHELVES

